

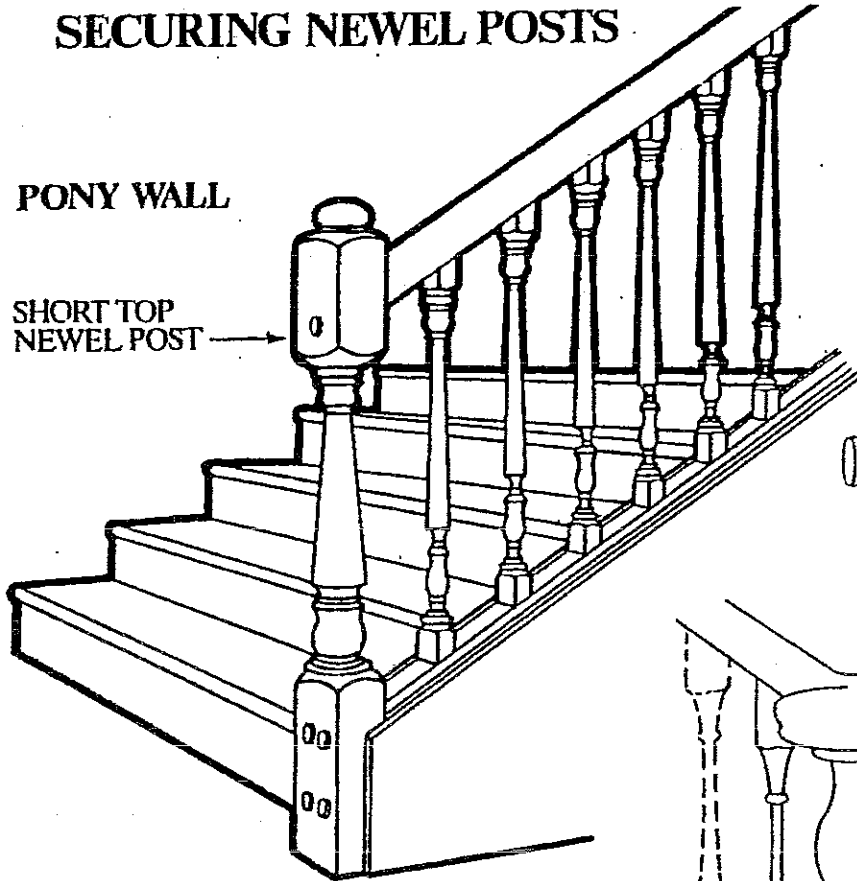
B-H Woodturning Ltd.

LET US DO A GOOD TURN FOR YOU

SECURING NEWEL POSTS

PONY WALL

SHORT TOP
NEWEL POST



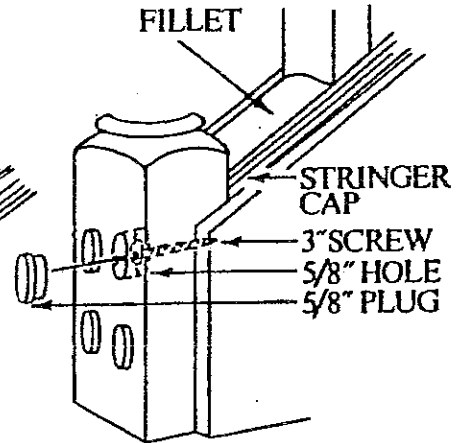
FILLET

STRINGER
CAP

3" SCREW

5/8" HOLE

5/8" PLUG

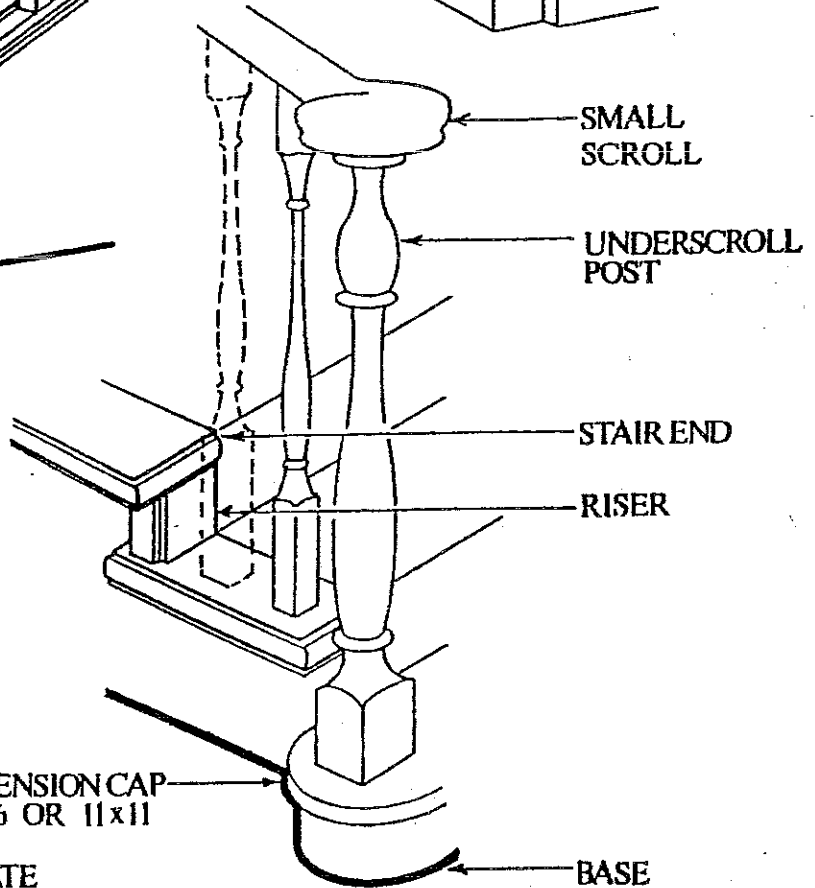


SMALL
SCROLL

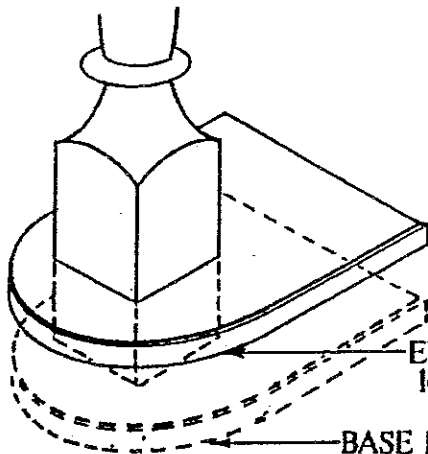
UNDERSCROLL
POST

STAIR END

RISER



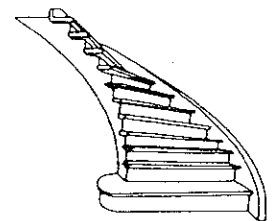
OPEN TREAD



EXTENSION CAP
16x16 OR 11x11

BASE PLATE

BASE



OFFICE, SHOWROOM & PLANT:

810 Derwent Way, Annacis Business Park, Delta, B.C. Canada V3M 5R1

Tel: (604) 540-6232 • Fax: (604) 540-6101